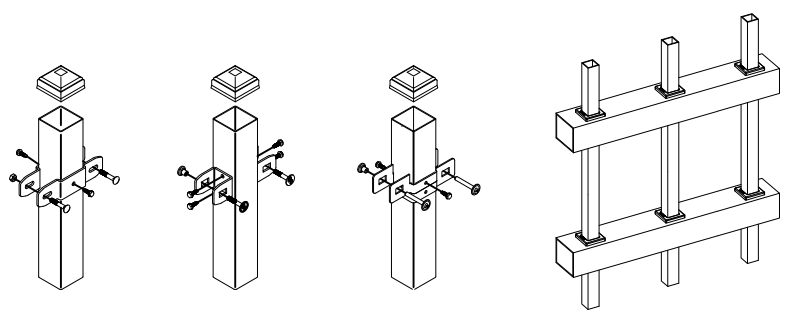
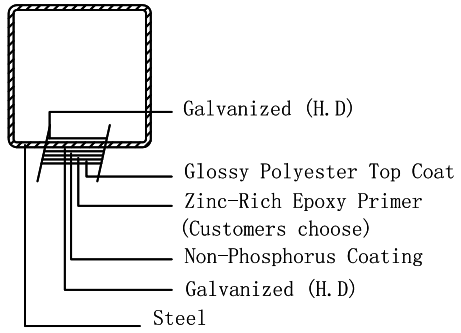
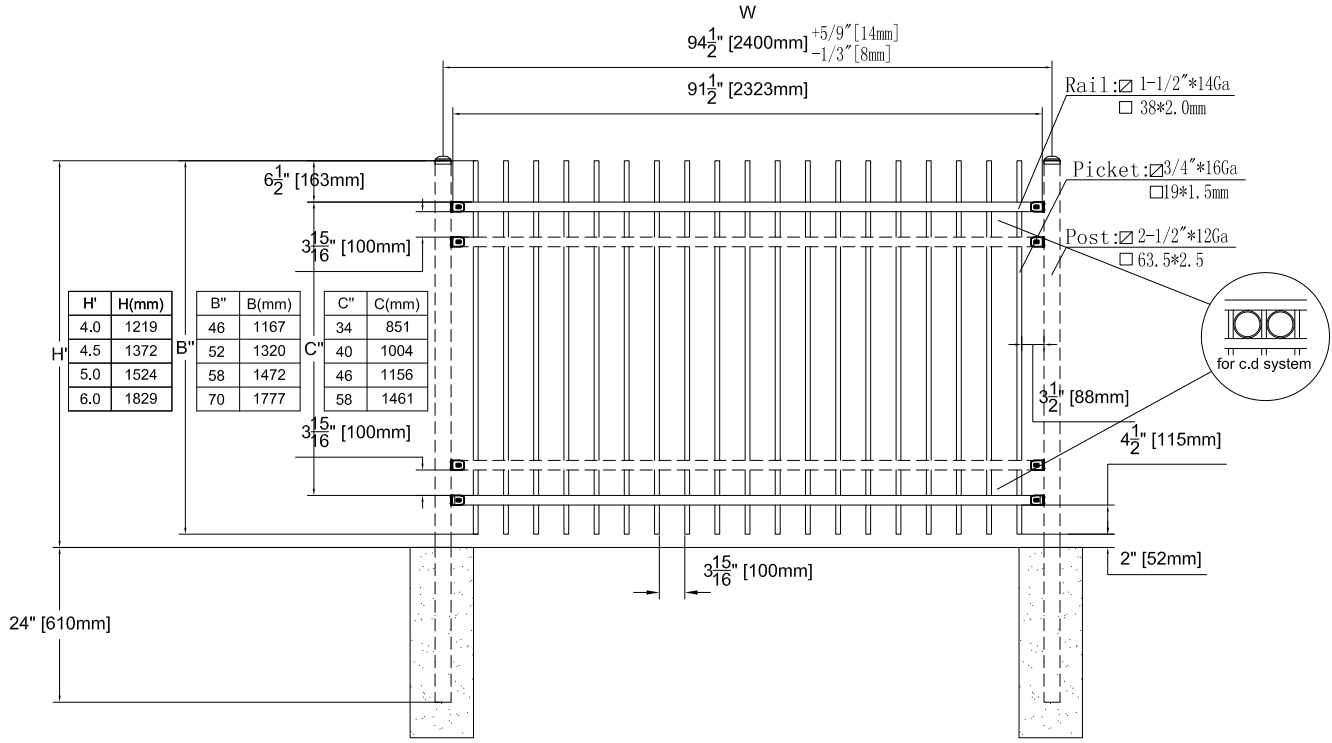


Post size		*W	
in	mm	in	mm
□ 2-1/2"	63.5	94-1/2"	2400
□ 3"	75	95	2411



ITEM	Size(mm)	Size(")	Material	Q'Ty	CLIENT  <b>USA</b>  Product description  <b>*C**08-P</b>		
Picket	19*19*1.5	3/4*3/4*16Ga	Q195				
Rail	38*38*2.0	1 1/2*1 1/2*14Ga	Q235				
Post	63.5*2.5	2 1/2*2 1/2*12Ga	Q235				
Design	A. Z	Standardization	D.FF		REVISIONS		
Drawing	D.FF	Approve	A. Z			DESCRIPTION	
Revise	X.G	Date:08-31-2015					DATE
Auditing	M.ZQ						



XCEL Fence Inc  
 910 E Cedar St.  
 Ontario, CA 91761 USA  
 Tel: (866)392-0808  
 Fax: (909)392-0999  
 www.xcelfence.com  
 E-mail: info@xcelfence.com